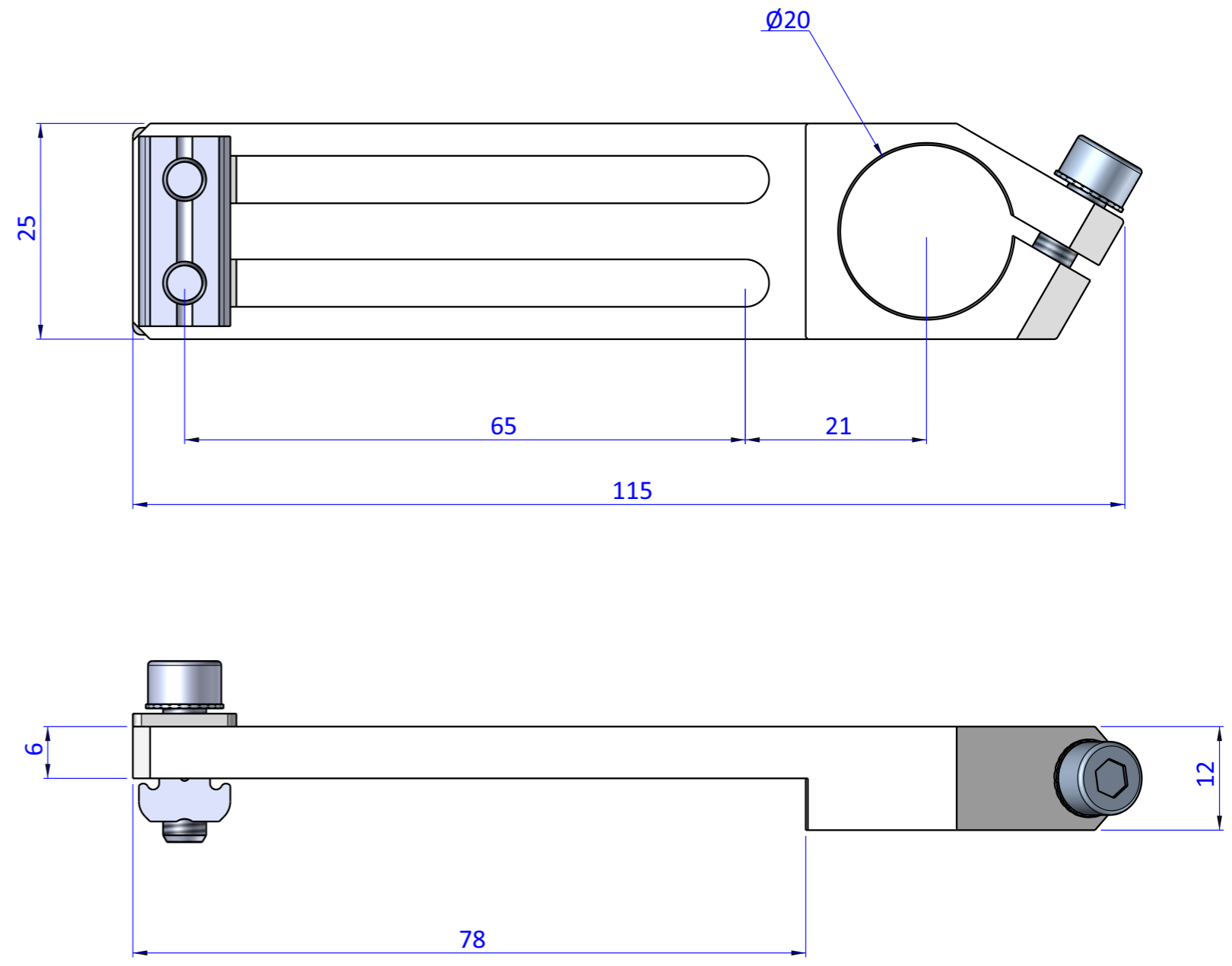
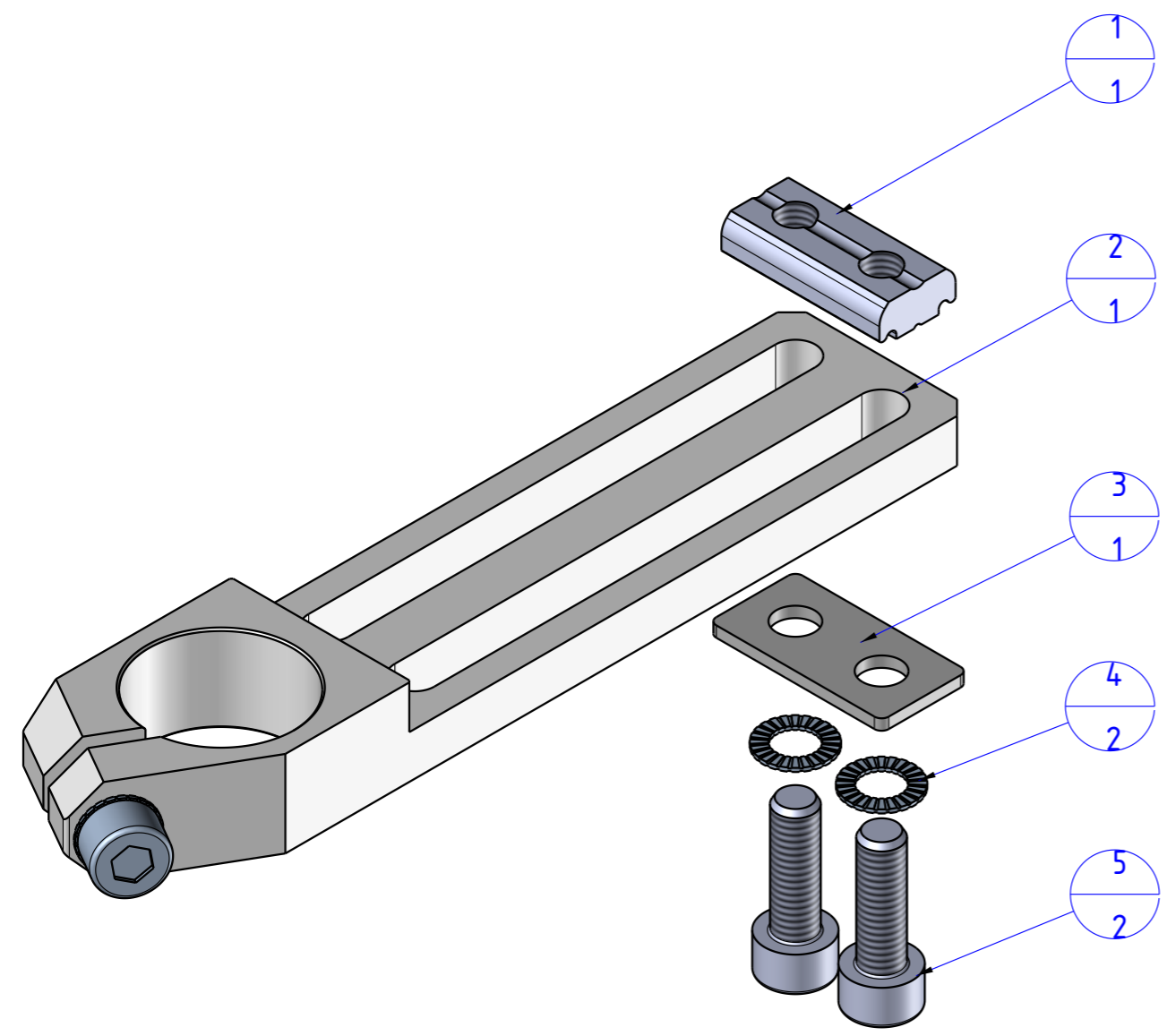



THE PROPERTY OF THE DRAWING IS ESTABLISHED BY LAW. IT IS FORBIDDEN TO PRODUCE OR SHOW IT TO THIRD PART. WITHOUT A WRITTEN AGREEMENT.

Item	Name	Q.ty
1	CA.GWP.5.12	1
2	CA.WSL.2060.U	1
3	R.05.12	1
4	R.5.SCH	2
5	V.TCE5x16	2



Format A3  
UNI 936-76

 <b>FPS</b> FPSERVICES AUTOMATION		DESIGNED FROM <b>FPS Automation</b>		REVIEW <b>A</b>	
		DATE <b>01/03/2021</b>	WEIGHT <b>0,056kg</b>		
GENERAL TOLERANCE UNI - ISO 2768 CLASSE f	DESCRIPTION <b>CA.WSL.2060.U.X</b>		CODE <b>CA.WSL.2060.U.X</b>		